



# AIS Tester

AIS Tester is a test device operating on AIS1(ch87B), AIS2(ch88B) and DSC ch70 frequencies. The tester is designed under corresponding standards and recommendations as a tool of operation and installation tests of AIS unit (Automatic Identification System). The test volume complies with "Guidelines on annual testing of the AIS unit MSC.1/Circ.1252".

Tester allows to make measurements both through the cable and broadcast by means of issued antenna.

The measurement results can be viewed on LCD display or can be saved in tester's nonvolatile memory. Tester allows to save two independent sessions of test/measurements to be saved lately on PC by means of software.

### TESTER allows to:

- Measure AIS frequencies (on channels 1,2);
- Measure or estimate the AIS transmitted power;
- Decoding of AIS messages;
- DSC polling information passing (channel 70);
- check AIS answer to so called "virtual vessel"



### FEATURES

#### AIS Test:

- Poll, receive and check data from AIS transponders.
- Simulate AIS data transmissions, such as ship's name, position, length, course, speed, power and beam.
- Poll information on channel 70
- Simulate NMEA data transmissions.
- Frequency and signal power measurement:
  - Channel AIS 1 (161.975 MHz)
  - Channel AIS 2 (162.025 MHz)
  - Channel DSC (156.525 MHz)

Tester does not use a GPS for synchronization. Appropriate TDMA slot-synchronizing algorithm is used which does not require a GPS 1 pps. It uses RATDMA for generating VDL and interrogation messages. A Pilot Plug evaluation function and NMEA/RS422 terminal display of external sensor inputs is provided.

The input signal displaying on LCD from external sensors through the RS-422 port provides the control of "Pilot plug".

Under the terms of operation TESTER is to use at a temperature range of + 50C to + 450C. and relative humidity 95% depending on the LCD type.

The TESTER is powered supply by four 1,5V AA batteries or external power supply unit with 4,2...6V and system load current no less than 500 mA, which is connected to the TESTER via USB port (USB network adapter or PC USB port).

#### Design reference standards:

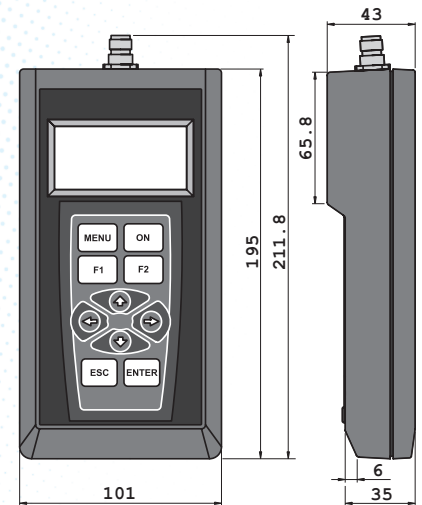
- ITU.R M.1371 IEC61993-2 IEC62287-1
- IEC61162-1/2 EN50081-1 EN50082-1
- EN55022 EN61000-4-2 EN61000-4-3
- IEC62320-1 IEC62320-2 IMO SN/Circ.227
- MSC.74(69), annex 3



### COMPLETE SET

- AIS Tester
- PC Cable (USB A – USB A 1.5m)
- PC Cable (DB9 - NMEA )
- RF Cable TNC-TNC
- RF Cable BNC-BNC
- RF Connector BNC-UHF
- Technical Description and User Manual
- Package
- Software and software user's guide manual

### DIMENSIONS (mm)



Available from



T... } A a a ^ S c a M  
 O : ) a a U d E a a | a o c a M : a a ^ E | e e a  
 V a \ a | @ } ^ B a c k E H A e F G A | | A J J A  
 ^ E a a k a ^ o { ^ o o } { a a ^ B { A  
 , , , E ^ o o } { a a ^ B { A