



MP-406 Float Free

MP-406 Float Free Satellite Emergency Position Indicating Radio Beacon (EPIRB) complies with the IMO requirements for COSPAS-SARSAT system and is a mandatory item in the GMDSS (Global Maritime Distress Safety System). It provides: quick identification, because each beacon has unique code, positioning to within one nautical mile with short response time. At depth of 4 meters the beacon is automatically activated to transmit distress signal (position and identity).

MP-406 Float Free has wheel-mark type approval.

Emergency position radio indicating beacon operating within COSPAS-SARSAT system is one of the most effective means for transmitting distress signals among the GMDSS equipment such as Inmarsat, SART or portable radio station GMDSS with lithium-type battery. An auxiliary homing transmitter is included in the MP-406 to enable suitable equipped Search and Rescue forces to home on the distress beacon.

Features:

- Lightweight easy-to-mount compact design.
- 5 years battery replacement period.
- Easy service, easy battery replace, only 2 SAFT LSH-20 batteries are required.
- Easy hydrostat replace, Hammar H20 is required.
- 10 year operating life
- Easy, in-built self-test facility with audible alert confirms correct operation.
- COSPAS-SARSAT, C/S T.001 and AS/NZS 4280 approved.

General Specification:

Message format: MMSI, Serialised, Call Sign
 Programming: Easy remote programming
 Temperature: Operating: -30C to 55 Class 2 Storage: -50C to +70C
 Battery: Lithium, to be replaced every five and a half years, 48 hours operation
 Hydrostat: Hammar H20
 Weight with bracket: 2,2 kg (Including the weight of Hammar 20)
 Weight with bracket: 2,0 kg (EPIRB weight - 1kg, Bracket weight - 1kg)
 Warranty period: 5 years



Delivery set:

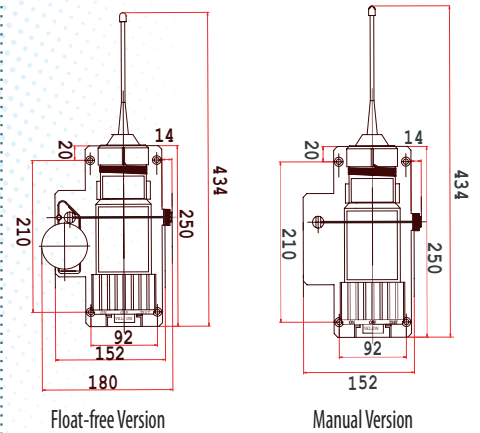
- EPIRB MP-406 with power supply unit
- Hydrostat Hammar H20
- Closed case
- User manual
- Package

Conformance to standards:

IMO Resolutions A.696(17); A.810(19) as amended by MSC.56(66), MSC.120(74).
 ITU-R M.633-2:00-05; ITU-R M.690-1:95-10; MSC/Circ.862.
 IEC 61097-2:02-09; IEC 60945:02-08.
 ETS 300 066 V1.3.1:96-05, EN 60945:03-07.



Dimensions in mm



Available from



Address: Vakulenchuk Str, 29/4a,
Sevastopol, Ukraine, 99053
Telephone: +38 0692 537628
Fax: +38 0692 557123
Our mail address: 99053, P.O. Box 20,
Sevastopol, Ukraine

Technical Specification:

406MHz Transmitter

Frequency 406.028MHz +/- 1kHz
 Output Power 5 Watts +/- 2dB
 Modulation Biphas 1.1 +/- 0.1 radians
 Data Encoding Bi phase L
 Antenna External vertical whip

121.5MHz Transmitter

Frequency 121.5MHz +/- 3KHz
 Output Power 50mW
 Modulation AM, or sweep tone
 Strobelight
 Effective intensity > 1 candela
 Flash Rate < 23 flashes per minute